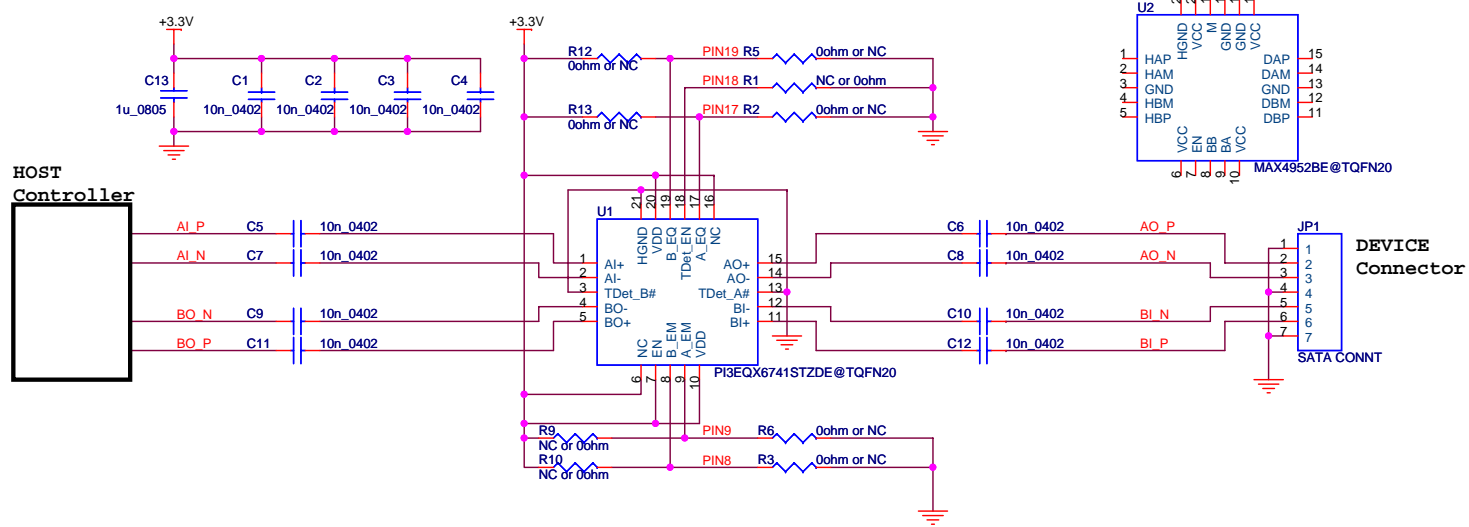


Compatible Schematic for PI3EQX6741ST and MAX4952BE



RESISTOR CONFIGURATION for Control Setting

PIN No.	PI3EQX6741STZDE		MAX4952BE	
PIN3 PIN13	TDet_B# TDet_A#	Termination Detect Output for CH A&B They can be connected to GND externally	GND	
PIN7	EN	with internal pull-up High for normal operation	EN	with internal pull-down resistor High for normal operation
PIN8	B_EM	Pre-em for CH B with internal pull-up it is controlled by R3&R10.	BB	with internal pull-down resistor It is Boost Enable for B CH.
PIN9	A_EM	Pre-em for CH A with internal pull-up it is controlled by R6&R9.	BA	with internal pull-down resistor It is Boost Enable for A CH.
PIN17	A_EQ	EQ for CH A with internal pull-up/down resistor controlled by R2&R13 for tri-level input	GND	R2 should be 0ohm, R13 must be NC.
PIN18	TDet_EN	Termination Detect Enable with internal pull-up R1 is NC for termination detect function	GND	R1 should be 0ohm
PIN19	B_EQ	EQ for CH B with internal pull-up/down resistor controlled by R5&R12 for tri-level input	M	with internal pull-down resistor It is OOB mode logic input.
PIN6	NC	Can be connected to VDD	VCC	
PIN16	NC	Can be connected to VDD	VCC	
All other pin functions are the same				